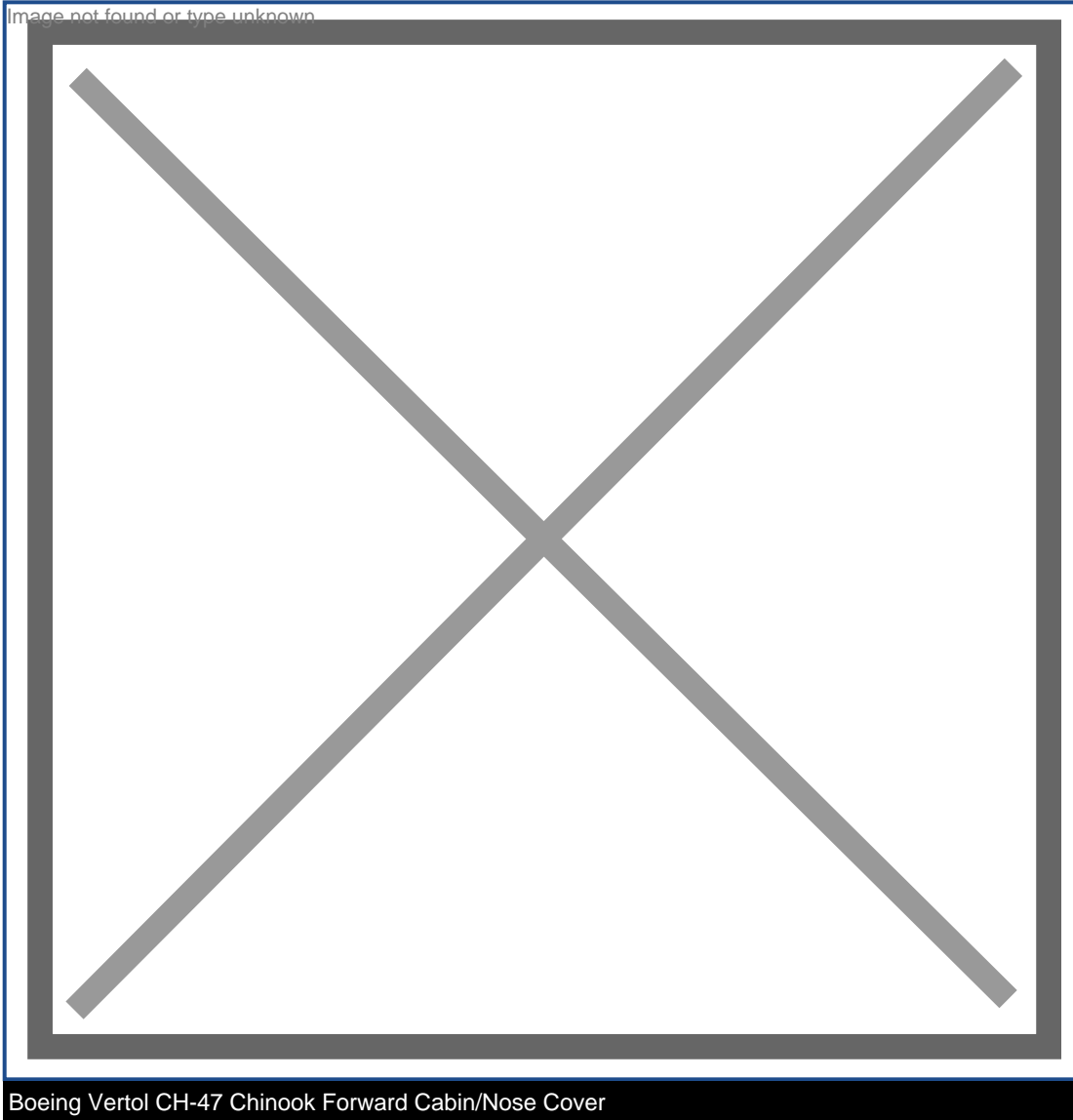


Tech Sheet: Boeing Vertol CH-47 Chinook

(boeing-vertol-CH47.pdf)



Section 1: Cockpit/Bubble Covers

The **Boeing Vertol CH-47 Chinook Cockpit Cover** helps reduce damage to the upholstery and avionics caused by excessive heat and can eliminate problems caused by leaking door and window seals. They keep the windshield and window surfaces clean and help prevent vandalism and theft.

The **Cockpit Cover** is designed to cover the windshield and side windows of the cockpit. Attachment buckles are made of nonmetal *Delrin*, designed for rugged outdoor use. The windshield cover comes with a duffel bag. The Tail Number (N-number, call sign, registration number, or serial number) can be imprinted onto the cover for an extra charge. The windshield cover is trimmed to match the colors of the aircraft.

This cover type is made from Silver Acrylic Sunbrella canvas and is 100% lined with a soft and smooth microfiber. Bruce's Custom

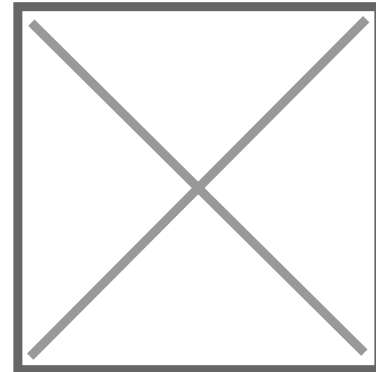
Covers developed this material combination especially for aircraft protection. The outer material is medium weight and treated for water resistance, UV resistance and anti-static buildup. The inner lining is a very soft and smooth microfiber to prevent scratching. The material is very reflective, and tests show that the cabin interior temperature can be reduced to near-ambient temperature on the hottest of days. It is water, ice and snow repellent, yet breathable to allow moisture to escape from between the cover and the aircraft surface.

The **Boeing Vertol CH-47 Chinook Forward Cabin/Nose Cover** is designed to cover the front and side windows of the cockpit, and extend forward to cover the nose. Pockets are sewn into the cover to accommodate for the pitot tubes.

This cover type is made from Silver Acrylic Sunbrella canvas and is 100% lined with a soft and smooth microfiber. Bruce's Custom Covers developed this material combination especially for aircraft protection. The outer material is medium weight and treated for water resistance, UV resistance and anti-static buildup. The inner lining is a very soft and smooth microfiber to prevent scratching. The material is very reflective, and tests show that the cabin interior temperature can be reduced to near-ambient temperature on the hottest of days. It is water, ice and snow repellent, yet breathable to allow moisture to escape from between the cover and the aircraft surface.



Boeing Vertol CH-47 Forward Cabin & Rotor Hub Cover



Boeing Vertol CH-47 Chinook Forward Cabin/Nose Cover

Description	Part Number	Price
FORWARD CABIN/NOSE COVER	CH47-000	Contact Us
FORWARD CABIN/NOSE COVER (special op's: extended nose, FLIR dome, etc.)	CH47-001	Contact Us
WINDSHIELD/COCKPIT WINDOWS COVER	CH47-005	Contact Us
COMPLETE FUSELAGE COVER, includes tire covers	CH47-010	Contact Us

Section 2: Engine/Tail Rotor Covers

Engine Cover details vary by model, but generally these covers are designed to enclose and protect the swash plate, inlet, exhaust and engine access areas. They are designed to tighten up around the main rotor drive shaft and tailboom bottleneck areas, and attach securely with straps either under the belly or to the land gear cross tubes (or both). *Delrin* buckles are used to tighten the attachment straps. The engine cover is made of Solution-Dyed Polyester or acrylic *Sunbrella*, and is available in a variety of colors ([contact us for details]/(contact)). Specific information for each model is available on request.

Engine/Transmission Covers form a "saddle" over the engine and transmission and extend aft to cover the exhaust. They fasten on either side to the rear latch of the engine access door. They are color coded (red=left, green=right). Engine Covers are normally made of durable Solution-Dyed Polyester or Acrylic *Sunbrella*.

Rotor Hub Covers overlaps with the Blade Covers to ensure complete protection for the entire main rotor system. Designed like a jacket with sleeves and no collar, the rotor hub cover fastens together below each blade with *Delrin* buckles. The Rotor Hub Cover is normally made from Solution-Dyed Polyester.

Bruce's **Boeing Vertol CH-47 Chinook Blade Covers** are made of medium-weight Solution-Dyed Polyester and designed to avoid

trim tabs or wicks. You can install Blade Covers from the ground with the aid of a lightweight rope attached to the open end. Covers are cinched tight at the blade root with straps and quick-release plastic buckles. The **Cold Weather Blade Covers** are fitted with full-length zippers and optional device "boots" designed to accept a preheater hose; a small opening at the tip of the cover allows for some air circulation and drainage in freezing weather. Some part numbers have features for an extra charge.

The **Boeing Vertol CH-47 Chinook Insulated Engine Cover** works well in cold climates to help with engine preheating. You can add an access flap for an additional fee. It will cinch around or behind the spinner, cover the entire engine cowl area including the engine air inlets, and fastens together with Velcro beneath the spinner down the front of the cowl.

Insulated Covers Material - A special composite material of solution-dyed polyester, 3M Thinsulate insulation, and soft nylon interior fabric. Our insulated covers are designed to complement an engine preheater and help retain heat in the engine compartment after shutdown. If you operate your aircraft in cold-weather, these covers will help prevent engine wear and tear.



CH-47 Covers



Boeing Vertol CH-47 Chinook Forward Pylon Side Inlet Snap Covers

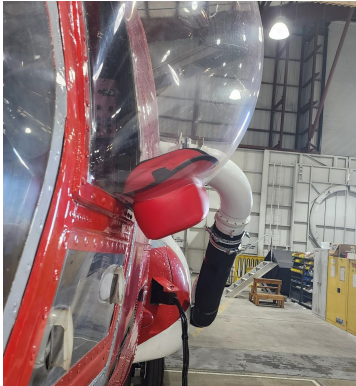
Description	Part Number	Price
ENGINE NACELLE COVERS (set of 2)	CH47-100	Contact Us
ENGINE EXHAUST COVERS (set of 2)	CH47-101	Contact Us
FORWARD PYLON SIDE INLET (SPECIFY SNAP TYPE) COVERS (set of 2)	CH47-102	Contact Us
FORWARD PYLON TOP INLET SCREEN COVER	CH47-103	Contact Us
AFT PYLON C-BOX INLET COVER	CH47-104	Contact Us
INSULATED ENGINE NACELLE COVERS (set of 2)	CH47-105	Contact Us
AFT TRANSMISSION COOLING FAN INLET/EXHAUST COVER (set of 2)	CH47-130	Contact Us
FORWARD PYLON SNAP-ON INLET COVERS (set of 2)	CH47-140	Contact Us
AFT PYLON FAN EXHAUST COVER	CH47-150	Contact Us
AFT PYLON HYDRAULIC COOLER EXHAUST COVER	CH47-155	Contact Us
ROTOR HUB COVERS, Equivalent or better than OEM P/N: 1730-CHSE-026 (set of 2)	CH47-200	Contact Us
BLADE COVERS (set of 6)	CH47-300	Contact Us
BLADE COVERS, cold weather type (set of 6)	CH47-310	Contact Us

Section 3: Plugs & Protection

Boeing Vertol CH-47 Chinook Pitot Tube Covers, NOT HEAT RESISTANT TYPE, are made of Naugahyde vinyl, and are designed to cover the entire pitot assembly. Slipping over the tube, the cover tightens around the base with a Velcro strap detail. A "Remove Before Flight" streamer is attached to the cover. **Heat Resistant Pitot Covers** are an upgrade to this design, and help

prevent the pitot cover from melting onto the tube if the pitot heat is accidentally turned on while installed. If you want the set tethered together, please let us know.

The **Engine Inlet Plugs** are custom fit for your Boeing Vertol CH-47 Chinook intakes, made with heavy-duty vinyl material, and stuffed with a single block of sculpted urethane foam. Each plug has a zipper that allows the foam to be removed and dried if necessary. Engine plugs have 'Remove Before Flight' streamers sewn onto the face of the plugs. Most plugs are imprinted with the aircraft registration number in black for an extra charge. Storage bag NOT included. Engine plugs may be inserted after flight when the engine is still warm. Engine Inlet Plugs are commonly referred to as Cowl Plugs, Intake Plugs, Cowl Blocks, Engine Blocks, and Engine Bungs.



Boeing Vertol CH-47 Logger Window Plug



CH-47 Logger Window Plug

Description	Part Number	Price
LOGGER WINDOW BUBBLE PLUG, need tracing	CH47-175	Contact Us
PITOT COVERS (set of 2)	CH47-250	Contact Us
PITOT COVERS, F Models (set of 3)	CH47-255	Contact Us

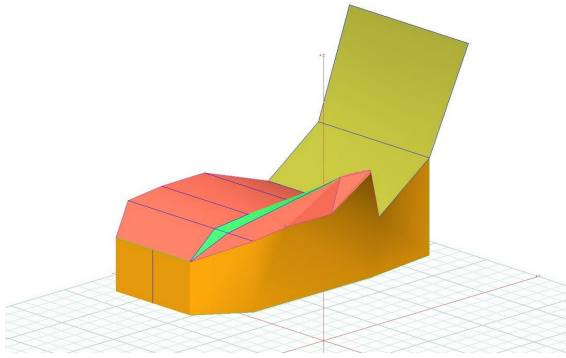
Section 5: HeatShields & Sun Reflectors

Cabin Heatshields are interior sunshades for the aircraft's passenger cabin area. The product is a unique composite of closed-cell foam with a silver mylar finish. The semi-rigid design is stiff enough to stand inside the window framing. The set folds up flat and is easily stored in the included storage sleeve. Some designs may require velcro and suction cups. A Heatshield is an excellent short-term remedy for cockpit overheating, but an external fabric cover is more effective for long-term protection.

Cockpit Heatshields are interior sunshades for the aircraft's cockpit. The product is a unique composite of closed-cell foam with a silver mylar finish. The semi-rigid design is stiff enough to stand inside the window framing. Darts and folds are incorporated into the material so that it conforms to the complex shape of the helicopter windows. The set folds up flat and is easily stored in the included storage sleeve. Some designs may require velcro and suction cups. A Heatshield is an excellent short-term remedy for cockpit overheating, but an external fabric cover is more effective for long-term protection.

Description	Part Number	Price
COCKPIT HEATSHIELDS (set of 9)	CH47-900	Contact Us
COCKPIT HEATSHIELDS, incl. upper chin bubble (set of 11)	CH47-910	Contact Us
CABIN HEATSHIELD SET (set of 10)	CH47-915	Contact Us

Section 6: Miscellaneous Products



CH-47 Center Console Cover, 3D Model



CH-47 Covers

Description	Part Number	Price
FLIGHT CONTROL COOLING FAN INLET COVER	CH47-110	Contact Us
AFT TRANSMISSION COOLING FAN INLET COVER	CH47-120	Contact Us
C-BOX COOLING FAN COVER	CH47-160	Contact Us
HEATER INTAKE COVER	CH47-165	Contact Us
CHAFF BUCKET COVERS (left & right side) (set of 2)	CH47-400	Contact Us
FWD LOWER FLARE BOX COVERS (left & right side) (set of 2)	CH47-410	Contact Us
AFT UPPER FLARE BOX COVERS (left & right side) (set of 2)	CH47-420	Contact Us
AFT LOWER FLARE BOX DISPENSER (left side)	CH47-430	Contact Us
CENTER CONSOLE COVER	CH47-700	Contact Us
PILOT/CO-PILOT SEAT COVERS (set of 2)	CH47-710	Contact Us
CIRCUIT BREAKER PANEL COVERS (set of 2)	CH47-720	Contact Us
DASHBOARD/GLARE SHIELD COVER	CH47-730	Contact Us

Prices subject to change. Other Covers and Design Alterations: Prices on request.
Prices are FOB Morgan Hill, CA. Sales tax on orders shipped to California addresses. Orders take approximately 3 weeks to complete. For domestic orders we normally ship by UPS ground service. Next day shipping and air parcel post is available on request. We can take payment by Visa, Mastercard, American Express, or Discover.

Bruce's Custom Covers offers protective covers and plugs for virtually every type of airplane, jet and helicopter. If you have questions about our products please call any time TOLL FREE: 800/777-6405, or FAX: 408/738-2729.



A division of Aircraft Covers, Inc.

18850 Adams Ct.
Morgan Hill, CA 95037
www.AircraftCovers.com

Aircraft Cover Ordering Form

Customer Info	Name _____ Shipping Address _____ _____ Phone & Email _____
Payment	Credit Card Number <input type="text"/> <input type="text"/> <input type="text"/> <input type="text"/> <input type="text"/> <input type="text"/> <input type="text"/> <input type="text"/> <input type="text"/> <input type="text"/> <input type="text"/> <input type="text"/> <input type="text"/> <input type="text"/> <input type="text"/> <input type="text"/> <input type="text"/> Exp. Date <input type="text"/> <input type="text"/> / <input type="text"/> <input type="text"/> V-Code* <input type="text"/> <input type="text"/> <input type="text"/> <input type="text"/> <small>*Visa, Mastercard, Discover: last 3 numbers on back of card, right of signature. Amex: 4 smaller numbers printed on face of card.</small>
A/C Info	Reg / Tail Number: _____ Aircraft Type: _____ Year: _____ Colors / Paint Scheme (be specific): _____

Please specify below the items you would like to order.
See technical sheet or visit our website for part numbers (or just fill in the description)

1	Part Number	Quant	Description	Price
2				
3				
4				
5				
6				
7				
8				
9				
10				

Optional Items (check the box of the item you want)

Imprint aircraft registration number onto both sides of canopy cover.....\$35.00

Imprint aircraft registration number onto jet intake covers.....\$55.00

TOTAL